



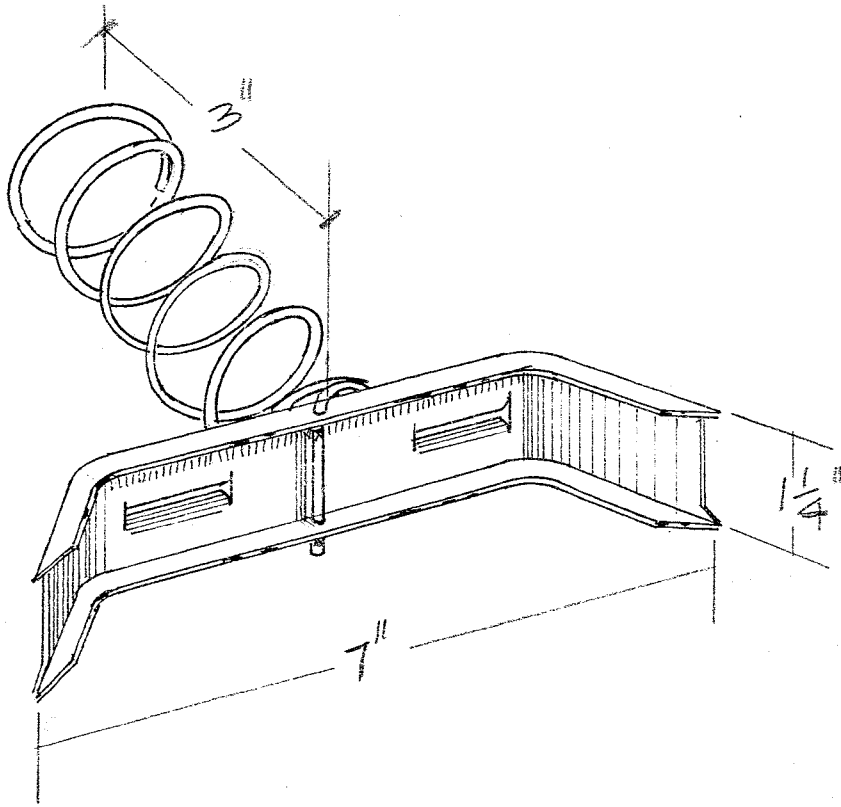
Commercial Washroom Equipment Company Incorporated

P.O. Box 2456, Gardena, CA 90247-0456 310-538-9440  
1-800-292-9326 Outside CA FAX: 310-715-9188 FAX 1-800-232-9326

430  
430LS

## RECESS WALL CLAMP WITH SPRING

Specify 430 (with spring) or 430LS (less spring)



**CONSTRUCTION:** Wall clamp is 20 ga. galvanized steel.

**INSTALLATION:** Align wall clamp with spring against back inner wall in same direction as screw holes in recess unit being installed (paper holder- horizontal, soap dish & soap with bar- vertical). Edges of clamp to be against inside face of outer wall. Install recess unit with screws provided. Clamp is slotted to allow for installation of different size recess units.

**SPECIFICATION:** Recess wall clamp shall be model 430 or 430LS by CWECO, Inc.